

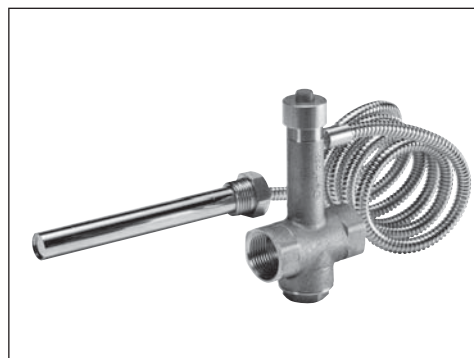
## Thermostatic Valve

BVTS

**Introduction**

The Thermostatic Valve BVTS is designed for protection of boilers and fire stoves. It prevents overheating by discharging water from heat generator, condensing coil or heat exchanger. The BVTS valve is used also to prevent back-burning in the fuel store of biomass boilers by flooding the fuel in case of excessive temperature.

The BVTS is self-acting, i.e. it operates without supply of auxiliary energy such as electricity or compressed air.


**Features**

- Needs no power supply – self acting
- Opens on rising sensor temperature
- Can be mounted on cold water inlet or hot water outlet of the boiler
- Can be mounted in any position
- Brass and other wetted materials suitable for drinking water
- Integrated sensor and valve body to eliminate risk of setting change
- Double sensor to ensure fail-safe operation
- Capillary tube protected against kinking by steel sheath
- Space saving compact design

**Approvals**

CE marked according to PED 97/23/EC, category IV, safety equipment, EN 14597 (DIN 3440)

**Materials**

Valve body and other metal parts:	forged brass	Sensor pocket:	brass
Spring:	stainless steel	O-rings and gaskets:	EPDM, NBR
Sensor:	brass	Activating button:	ABS
Capillary tube:	copper		

**Technical data**

<b>Media</b> Water	<b>Opening temperature</b> 95°C ± 2°C (fixed)
<b>Maximum Working Pressure</b> 10 bar	<b>Hysteresis</b> 6°C
<b>Ambient temperature</b> 0 to 80°C	<b>Flow capacity</b> 2.6 m <sup>3</sup> /h at min. 1 bar flow pressure
<b>Max. temperature of the sensor</b> 125°C	<b>Connection size</b> G ¾ pipe thread ISO 228
<b>Media temperature</b> 5 to 110°C	<b>Length of capillary tube</b> 1.3 m or 4 m

**Ordering**

Connection ISO228	Opening temperature [°C]	kv value (m <sup>3</sup> /h at Δp = 1 bar and sensor temp. 110 °C)	Capillary tube length [m]	Code no.
G ¾	95 ± 2 (fixed)	2.6	1.3	<b>003N3300</b>
G ¾	95 ± 2 (fixed)	2.6	4.0	<b>003N3301</b>

**Design and function**

The Thermostatic Valve type BVTS is actuated by temperature increase.

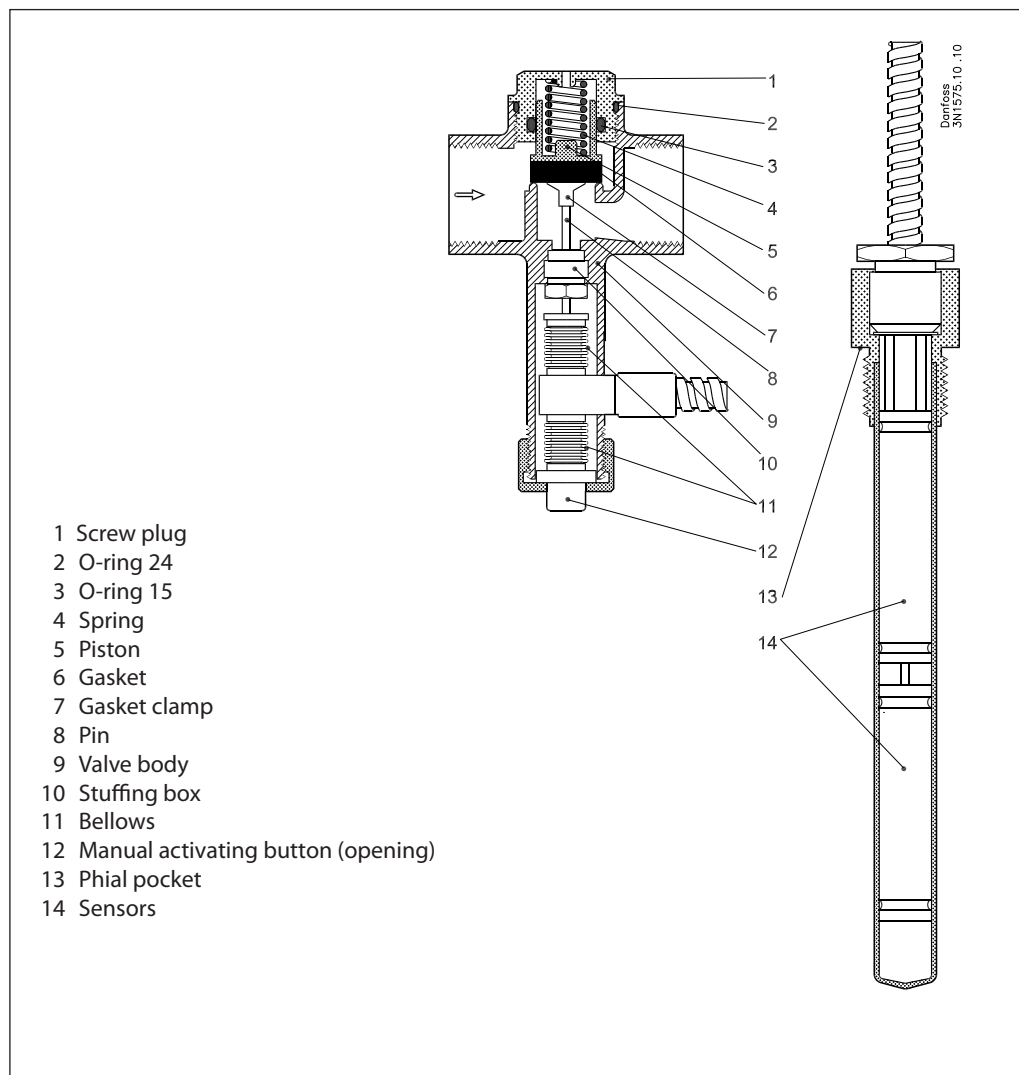
The valve consists of two integrated elements:

- spring loaded valve
- hermetically sealed thermostatic element with bellows, sensor and charge inside

The valve is adjusted to open at sensor temperature of  $95^{\circ}\text{C} \pm 2^{\circ}\text{C}$ .

This setting is fixed and cannot be changed by user.

When the temperature around sensor increases the charge inside the sensor heats up building up the pressure. This pressure is transferred to the valve via the capillary tube and bellows. At sensor temperature of  $95^{\circ}\text{C} \pm 2^{\circ}\text{C}$  the pressure in bellows becomes greater than the spring load so the pin lifts up and the valve opens.



- 1 Screw plug
- 2 O-ring 24
- 3 O-ring 15
- 4 Spring
- 5 Piston
- 6 Gasket
- 7 Gasket clamp
- 8 Pin
- 9 Valve body
- 10 Stuffing box
- 11 Bellows
- 12 Manual activating button (opening)
- 13 Phial pocket
- 14 Sensors

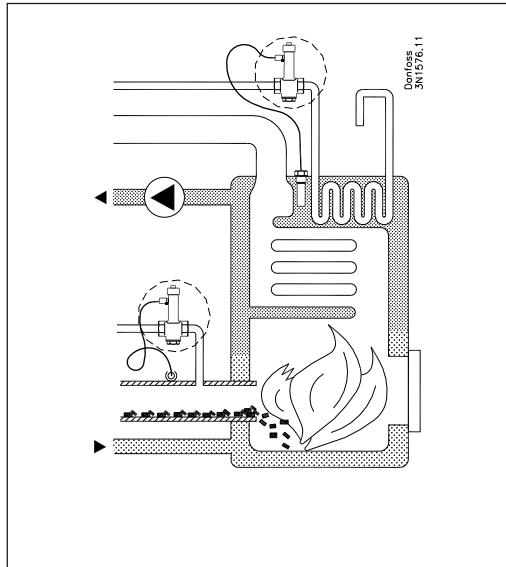
**Fail-Safe function**

Fail-safe function is ensured by two separate and independent sensing elements. Each of them has its own sensor and bellows. If one of the sensing elements fails the other is still able to open the valve.

**Manual button**

The BVTS valve is fitted with activating button which enables to manually open the flow on the valve.

Applications



**Overheating protection:**

If the water temperature rises, the valve will open and let cold water through the heat exchanger system; thus quickly and efficiently lowering the temperature.

**Back-burning protection:**

If the temperature in the fuel feed system rises above  $95^{\circ}\text{C} \pm 2^{\circ}\text{C}$ , the valve will dispense a sufficient amount of water to extinguish fire.

Dimensions

